



TIBURON FIRE PROTECTION DISTRICT

1679 TIBURON BOULEVARD, TIBURON, CALIFORNIA 94920
TELEPHONE: (415) 435-7200 FAX: (415) 435-7205

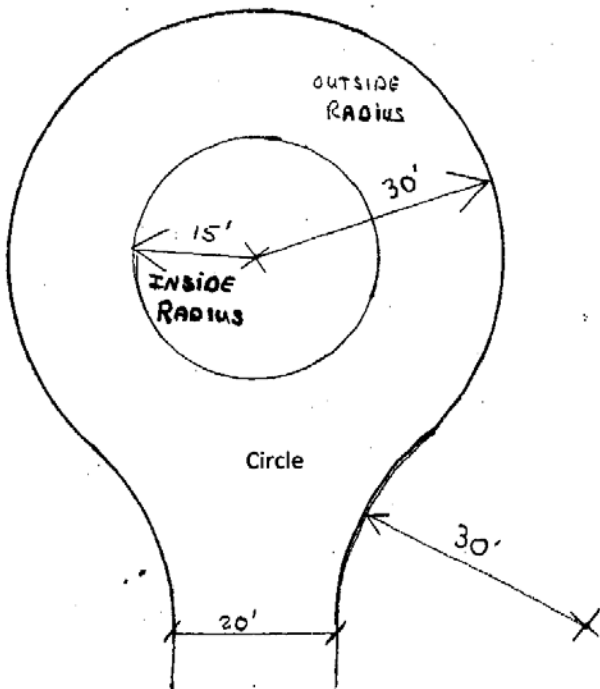
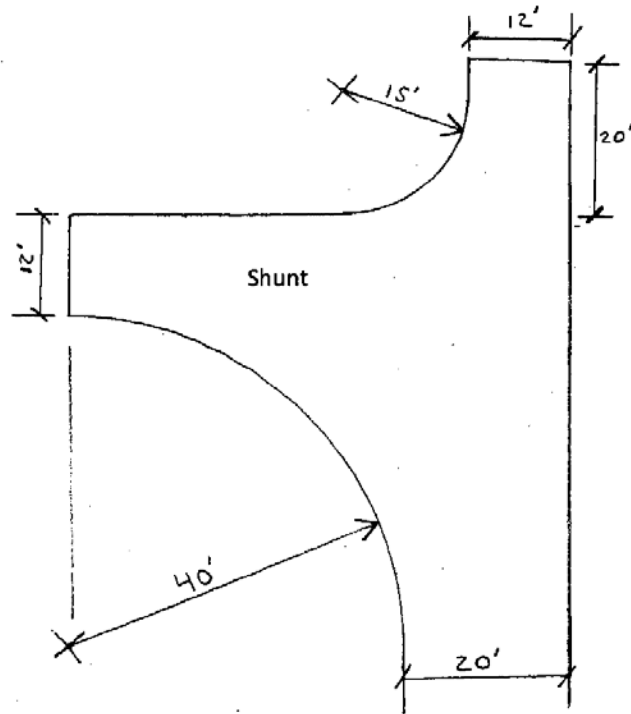
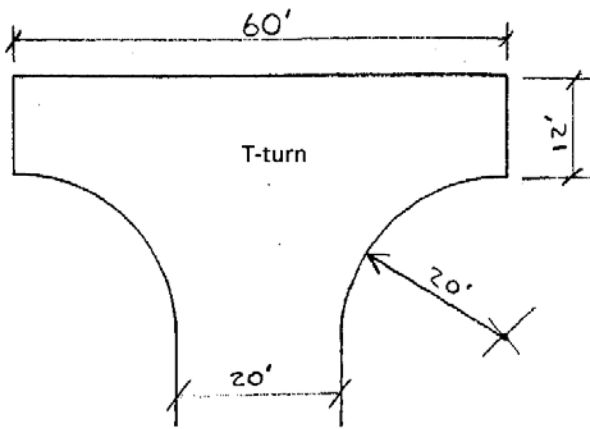
RICHARD PEARCE, FIRE CHIEF

STANDARD NO.: 503.2.5

REVISED: 4/19/2010

SUBJECT : APPARATUS TURNAROUND – RESIDENTIAL

AUTHORIZED: *R. Pearce*



Note: These standards are for residential areas only